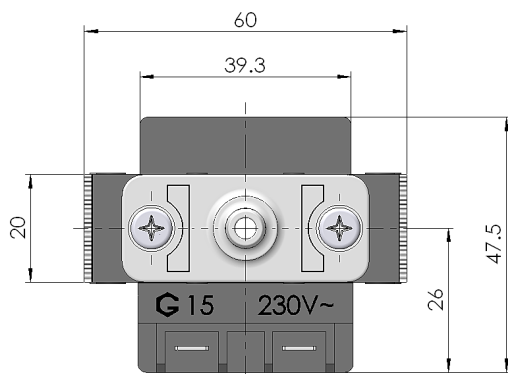
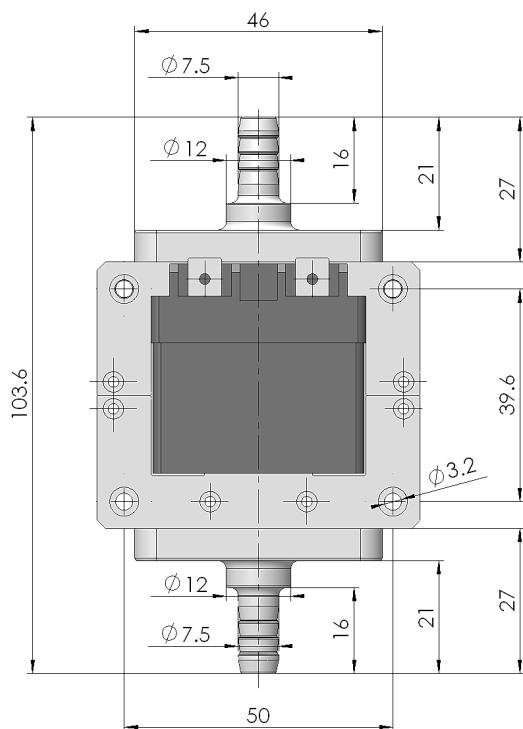
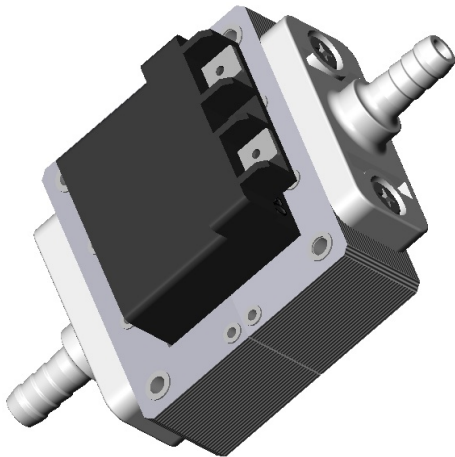


## Electromagnetic pump

# ETS 15

## Technical data



### Application fields :

- Domestic & industrial appliances
- Household appliances
- Cleaning equipment
- Printing systems
- Lubrication
- Laboratory & medical devices

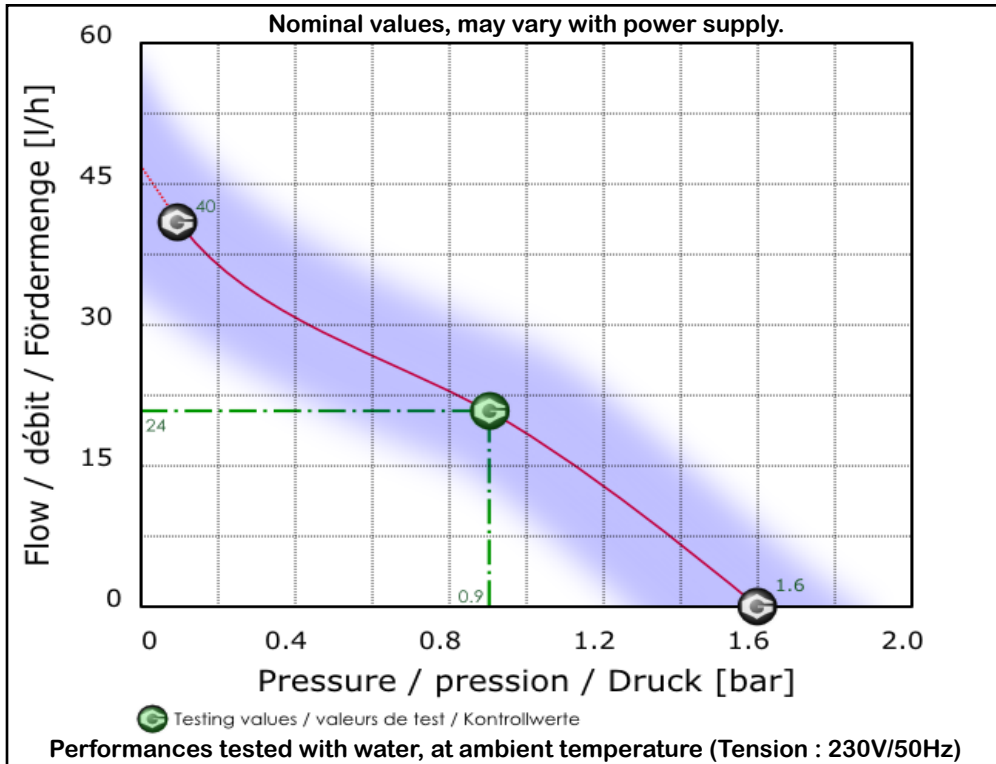
The "little one" of the ET range. Its low electric consumption as well as its good hydraulic performance make this pump very appreciated when longlasting applications are necessary. Various available options will allow this pump to meet your needs.

### Nominal rated data :

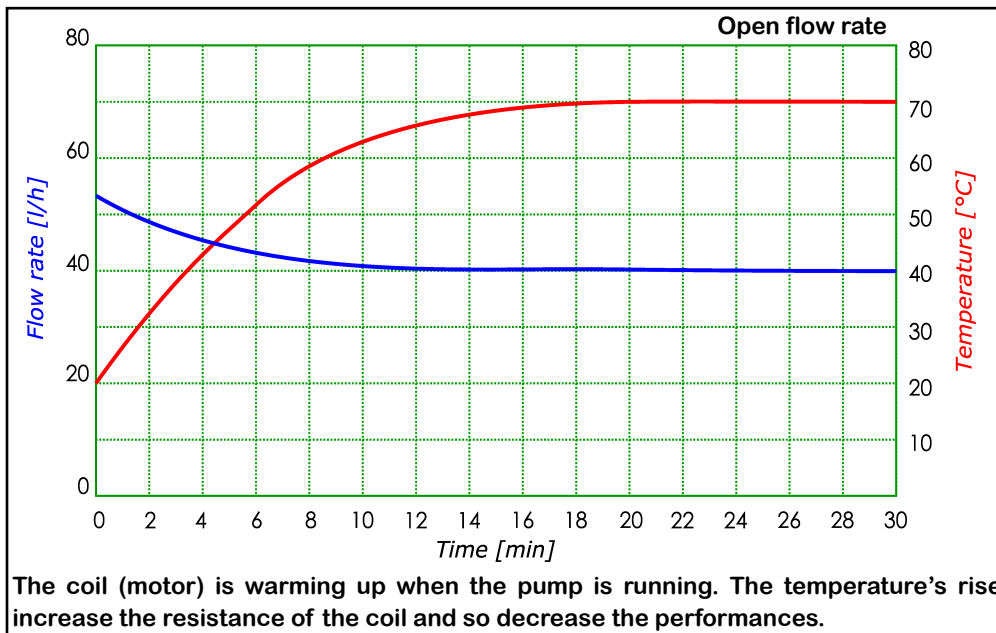
Maximum pressure	: 1.6 [bar]
Maximum flow rate	: 40 [l/h]
Maximum suction height	: 3 [m]
Viscosity range	: 1...600 [mm <sup>2</sup> /s]
Filter	: Mesh 100
Tension	: 230 [V]~ (110 [V], 24 [V], 12 [V])
Frequency	: 50 [Hz], (60 [Hz])
Electrical connection	: 2 x 6.3 [mm] x 0.8 [mm]
Power	: 25 [W]
Weight	: ~440 [g]
Temperature	: 1...50 [°C]
Insulation	: Class F-100% ED / 20 [°C] (Class H on request) Class I (class II on request)
Noise level (1m)	: Open flow = ~55 [dB(A)], Max. pressure = ~48 [dB(A)]
Approvals	: EC conform to EN60335-1 (ED.4), CB cert. Nr. CH-4364, (UL on request)
EMC	: Conform to 2004/108/EC
RoHS	: Conform to 2002/95/EC



## Performances :



## Heating & flow :



## Additional information :

### Materials in contact with the liquid :

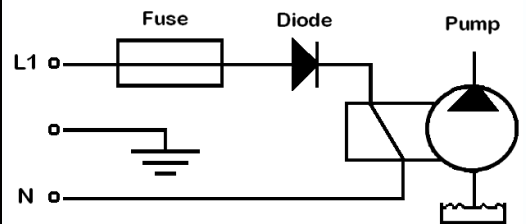
Connectors : Hostaform  
 Piston : 1.4057 + Cr  
 Springs : 1.4401  
 Valves tips : NBR  
 O-ring : NBR

*Large choice of materials & options*



### Electric wiring diagram :

Fuse and diode are necessary



### Note :

Please, refer to instruction manual for more installation details. For more information, visit our website

[www.gotecpumps.com](http://www.gotecpumps.com)